



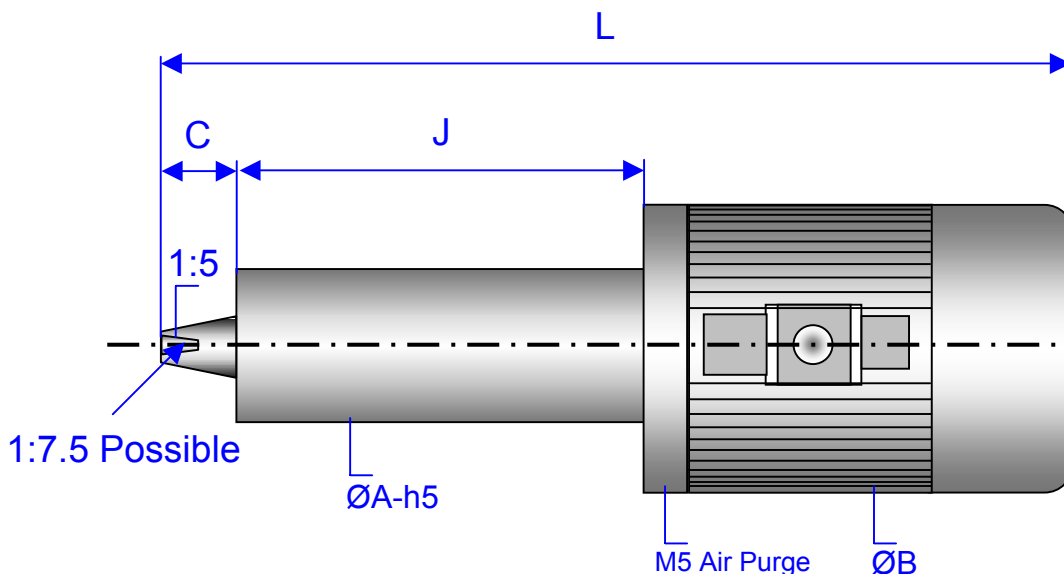
CENTERLINE INC.

PRECISION SPINDLE ENGINEERING

EVERYTHING SPINDLE

AIR COOLED MOTORIZED SPINDLE WITH OD TAPER- TYPE MO/ODT

ALL CRITICAL PARTS ARE HARDENED AND GROUND.
ALL SPINDLES ARE BALANCED.



CEN Type	A-h5	C	J	L	B	RPM	KW
CEN MO50X170/18000/ODT	50	23	170	349	95	18,000	0.6
CEN MO60X160/2800/ODT	60	23	160	370	128	2,800	0.37
CEN MO60X185/12000/ODT	60	23	185	573	176	12,000	2.2
CEN MO60X230/12000/ODT	60	23	230	613	176	12,000	2.2
CEN MO70X250/3000/ODT	70	36	250	458	176	3,000	1.1
CEN MO80X250/9000/ODT	80	45	250	573	176	9,000	2.2
CEN MO100X350/4500/ODT	100	350	350	709	195	4,500	4.5
CEN MO120X400/9000/ODT	120	96.5	400	797	175	9,000	13
CEN MO140X350/12000/ODT	140	72	350	662	220	12,000	12
CEN MO140X450/3000/ODT	140	106	450	946	256	3,000	6

- ❖ ALL DIMENSIONS IN <MM>
- ❖ GREASE LUBRICATED

www.centerline-inc.com

2110 North Ash - Ponca City, OK 74601
Phone: 580-762-5451 **Toll Free:** 1-800-696-2865 **Fax:** 580-762-4722 **Email:** info@centerline-inc.com