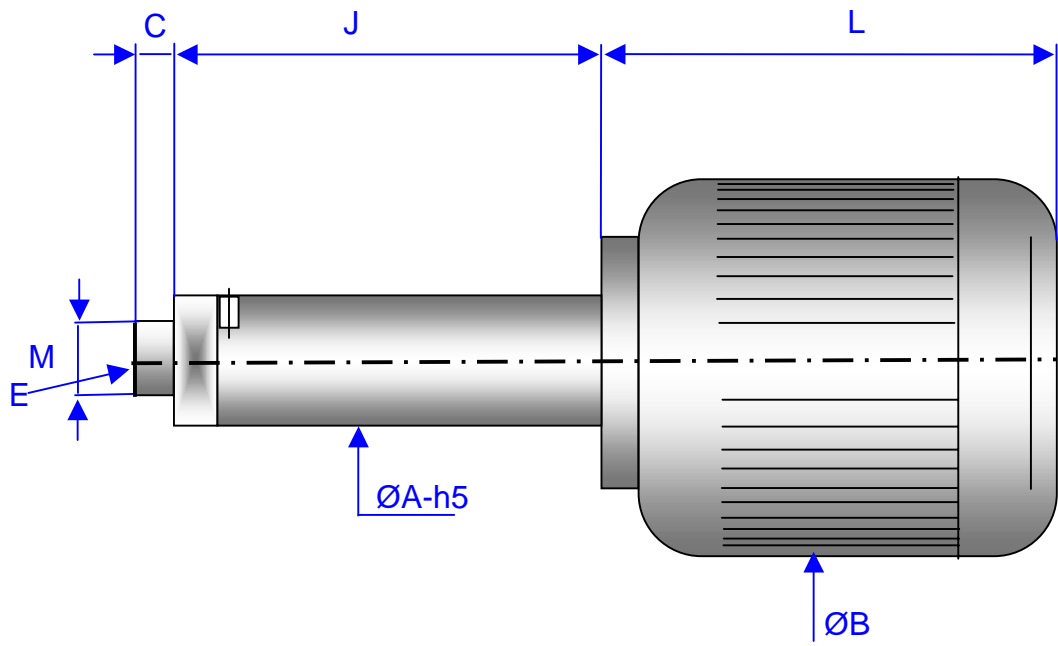




HIGH FREQUENCY SPINDLE HFA
 ALL CRITICAL PARTS ARE HARDENED AND GROUND.
 ALL SPINDLES ARE BALANCED.



TYPE	A-h5	J	C	L	B	M	TAPER	RPM	KW	LUBRICATION
HFA038074	38	74	13			19x1	E-16	12,000	0.4	Grease
HFA040180	40	180	13		100	19x1	E-16	36,000		Grease
HFA50200	50	192	14			25x1.5	E-20	12,000		Grease
HFA60106	60	108	15	240		25x1.5	E-20	15,000	1.1	Grease
HFA080250	80	250	20	292	175	50x1.5	E-40	10,000		Grease

ALL DIMENSIONS IN <MM>

Centerline, Inc.

2110 North Ash
 Ponca City, OK 74601

Ph: (580) 762-5451
 (800) 696-2865
 Fax: (580) 762-4722

Email: info@centerline-inc.com
 Website: www.centerline-inc.com